

# ALL PURPOSE DRILLS



**HAYBUSTER**<sup>®</sup>  
www.haybuster.com



# ALL PURPOSE DRILLS

*Haybuster offers pull-type drills in 7', 10', and 14' sizes.  
All drills plant their transport width due to  
rear wheel locations.*

## **77C ALL PURPOSE DRILL**

The model 77C Drill from Haybuster has the ability to drill many different varieties and sizes of seed into all types of planting conditions ranging from heavy residue no-tillage to minimum tillage and conventional tillage fields. It plants 7' wide and is perfect for planting a variety of seeds for smaller wild life plots and renovating pastures. The 77C is a towable unit and only requires a 35 hp tractor to operate.





## **107C ALL PURPOSE DRILL**

The model 107C Drill from Haybuster remains the most popular drill on the market. It is great for planting in erosion control applications, such as roadsides and land development. The primary customer uses the 107C for pasture renovation. It is the perfect size to get into most gates and allows you to drill up to five acres per hour. Hitches are available for endwise transport of multiple 107C Drills.



## **147C ALL PURPOSE DRILL**

The 147C is BACK! The 14' rigid drill is in demand, with all the features that has made the 107C so popular. Now planting in 14' increments and weighing in over 5,600 lbs., this is a superb drill for planting in heavy residue and hard-to-penetrate soil. If you need to plant in heavy trash conditions and have substantial acres to seed, the 147C is the drill for you!

## ALL PURPOSE DRILLS



**Lead Coulter System:** Lead coulter blade is offset 1 ½" in front of dual disc, allowing for cutting of trash and penetrating the soil.



**7" Row Spacing:** All Haybuster drills plant with 7" spacing and each linkage is offset 9 ½" for planting in heavy residue.



**Infinite Seed Rate Adjustment:** Easy to set, each box has infinite seed adjustment for accurate seeding rates, no matter what seed you're planting.



**Down Pressure System:** Each linkage has simple down-pressure adjustments from 135 lbs. for conventional seeding up to 300 lbs. for no-till application.



**Depth Control Adjustment:** Simple, solid depth control adjustment on each linkage.



**Mechanical Drive System:** Wide, aggressive lug-type tractor tire drive wheel, for positive ground contact, to assure accurate planting.

# OPTIONAL FEATURES



**Cast Iron Linkages:** Built of heavy-duty cast steel, the Haybuster drill linkage is even more durable than ever. The cast steel makes the overall drill even heavier, which is always a positive when reseeding pastures and all no-till applications.



**Three Seed Boxes:** The Haybuster drills come standard with two seed boxes with individual metering. The third box (front) is the optional legume box. With the legume box installed, Haybuster drills are capable of planting three different seeds at three different rates.



**Legume Box:** Haybuster drills can be equipped with a third seed box designed for accurately feeding and metering small seeds and legumes. Also available with longer hoses and seed boots for shallow seed placement.



**Native Grass Attachment:** Haybuster drills can be equipped with dual seed agitators, large seed hoses and seed boots for accurately planting light, fluffy bearded seeds such as native grasses.



**Single Bottom Agitators:** Prevent bridging of seeds near feed wheels to maintain flow of seeds. It is standard equipment with the Native Grass Kit or can be ordered separately for the rear box.



**Depth Band:** Bolted on to the coulter to limit the maximum seeding depth.

# FACTORY SPECIFICATIONS

## MODEL 77C ALL PURPOSE DRILL

Grass / Grain / Conventional Tillage / Mulch Till / No-Till

### WEIGHT:

**Total** – 3,600 lbs (1,632.9 kg)

### TRANSPORT & WORKING DIMENSIONS:

**Overall Width** – 7' 7" (3.18 m)

**Height** – 6' 2" (1.87 m)

**Road Clearance** – 7" (17.78 cm)

### CHASSIS FEATURES:

**Front Tire Type** – Implement

**Front Tire Size** – 9.5 L x 14"

**Rear Tire Type** – Implement

**Rear Tire Size** – 7.60 L x 15"

**Hydraulic Lift Cylinder** – Standard Equipment

### SEED & METERING:

**Molded Seed Cups with Wind Guards and**

**Triple Width Seed Wheels in Rear Seed Box**

**Seed Box** – 12 Bushels (422 Liter)

**Feed System** – Infinitely Adjustable Meter

**Fertilizer Box** – 930 lbs (421.8 kg) 11.5 Bushels (405.25 Liter)

**Walk Board Size** – 10" x 7' 4" (24.5 cm x 2.23 m)

**Walk Board Type** – Steel Safety Grating

**Seed/Fertilizer Hose Type** – Rubber Convoluted

**Seed/Fertilizer Hose Size** – 1 ¼" (3.18 cm) ID

### CAST SEED OPENERS:

**Seeding Row Spacing** – 7" (17.78 cm)

**Seeding Width** – 7' (2.13 m)

**Number of Seed Openers** – 12

**Opener Type** – Coulters – Disc Offset Opener

**Coulters Lead Distance** – 1 ½" (3.81 cm)

**Opener Spring Pressure Range** – 135 lbs to 300 lbs (61.36 kg to 136.36 kg)

**Opener Travel Range** – 10" (25.4 cm)

**Disc Soil Penetration Range** – Up to 3" (7.62 cm)

**Coulters Size** – 5/32" x 14" (4 mm x 35.56 cm) Dia.

**Disc Size** – 3/32" x 14" (2.5 mm x 35.56 cm) Dia.

**Disc Bearings** – Heavy Duty – Sealed ¾" (1.90 cm) Double Row Ball Bearings

### PRESS WHEELS:

**Types** – 2" x 15-½" (50.8 mm x 39.37 cm) Steel

### REQUIREMENT FOR OPERATION:

**Drill Hitch**

**Horsepower Requirements** – 35 HP minimum - dependent upon terrain and soil conditions

Tractor must weigh more than drill full of seed

## MODEL 107C ALL PURPOSE DRILL

Grass / Grain / Conventional Tillage / Mulch Till / No-Till

### WEIGHT:

**Total** – 4,200 lbs (1,905.1 kg)

### TRANSPORT & WORKING DIMENSIONS:

**Overall Width** – 10' 5" (3.18 m)

**Height** – 6' 2" (1.87 m)

**Road Clearance** – 7" (17.78 cm)

### CHASSIS FEATURES:

**Front Tire Type** – Implement

**Front Tire Size** – 9.5 L x 14"

**Rear Tire Type** – Implement

**Rear Tire Size** – 7.60 L x 15"

**Hydraulic Lift Cylinder** – Standard Equipment

### SEED & METERING:

**Molded Seed Cups with Wind Guards and**

**Triple Width Seed Wheels in Rear Seed Box**

**Seed Box** – 14 Bushel (493 Liter)

**Feed System** – Infinitely Adjustable Meter

**Fertilizer Box** – 1,100 lbs (500 kg) 13.5 bu (474.7 liter)

**Walk Board Size** – 10" x 8' 6" (24.5 cm x 2.59 m)

**Walk Board Type** – Steel Safety Grating

**Seed/Fertilizer Hose Type** – Rubber Convoluted

**Seed/Fertilizer Hose Size** – 1 ¼" (3.18 cm) ID

### CAST SEED OPENERS:

**Seeding Row Spacing** – 7" (17.78 cm)

**Seeding Width** – 10' 6" (3.2 m)

**Number of Seed Openers** – 18

**Opener Type** – Coulters – Disc Offset Opener

**Coulters Lead Distance** – 1 ½" (3.81 cm)

**Opener Spring Pressure Range** – 135 lbs to 300 lbs (61.36 kg to 136.36 kg)

**Opener Travel Range** – 10" (25.4 cm)

**Disc Soil Penetration Range** – Up to 3" (7.62 cm)

**Coulters Size** – 5/32" x 14" (4 mm x 35.56 cm) Dia.

**Disc Size** – 3/32" x 14" (2.5 mm x 35.56 cm) Dia.

**Disc Bearings** – Heavy Duty – Sealed ¾" (1.90 cm) Double Row Ball Bearings

### PRESS WHEELS:

**Types** – 2" x 15 ½" (50.8 mm x 39.37 cm) Steel

### REQUIREMENT FOR OPERATION:

**Drill Hitch**

**Horsepower Requirements** – 50 HP minimum - dependent upon terrain and soil conditions

Tractor must weigh more than drill full of seed

## MODEL 147C ALL PURPOSE DRILL

Grass / Grain / Conventional Tillage / Mulch Till / No-Till

### WEIGHT:

**Total** – 5,650 lbs (2,562.8 kg)

### TRANSPORT & WORKING DIMENSIONS:

**Overall Width** – 13' 9" (4.19 m)

**Height** – 6' 2" (1.87 m)

**Road Clearance** – 7" (17.78 cm)

### CHASSIS FEATURES:

**Front Tire Type** – Dual Implement

**Front Tire Size** – 9.5 L x 14"

**Rear Tire Type** – Implement

**Rear Tire Size** – 7.60 L x 15"

**Hydraulic Lift Cylinder** – Standard Equipment

### SEED & METERING:

**Molded Seed Cups with Wind Guards and**

**Triple Width Seed Wheels in Rear Seed Box**

**Seed Box** – 18 Bushel (493 Liter)

**Feed System** – Infinitely Adjustable Meter

**Fertilizer Box** – 1,540 lbs (500 kg) 13.5 bu (474.7 liter)

**Walk Board Size** – 10" x 10' 6" (24.5 cm x 2.59 m)

**Walk Board Type** – Steel Safety Grating

**Seed/Fertilizer Hose Type** – Rubber Convoluted

**Seed/Fertilizer Hose Size** – 1 ¼" (3.18 cm) ID

### CAST SEED OPENERS:

**Seeding Row Spacing** – 7" (17.78 cm)

**Seeding Width** – 14' (3.2 m)

**Number of Seed Openers** – 24

**Opener Type** – Coulters – Disc Offset Opener

**Coulters Lead Distance** – 1 ½" (4.26 cm)

**Opener Spring Pressure Range** – 135 lbs to 300 lbs (61.36 kg to 136.36 kg)

**Opener Travel Range** – 10" (25.4 cm)

**Disc Soil Penetration Range** – Up to 3" (7.62 cm)

**Coulters Size** – 5/32" x 14" (4 mm x 35.56 cm) Dia.

**Disc Size** – 3/32" x 14" (2.5 mm x 35.56 cm) Dia.

**Disc Bearings** – Heavy Duty – Sealed ¾" (1.90 cm) Double Row Ball Bearings

### PRESS WHEELS:

**Types** – 2" x 15 ½" (50.8 mm x 39.37 cm) Steel

### REQUIREMENT FOR OPERATION:

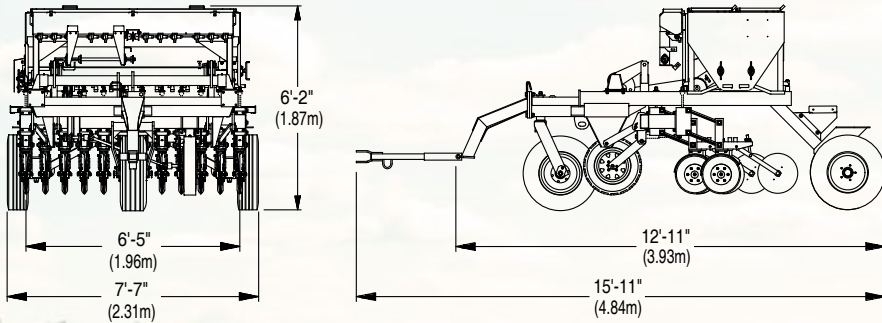
**Drill Hitch**

**Horsepower Requirements** – 70 HP minimum - dependent upon terrain and soil conditions

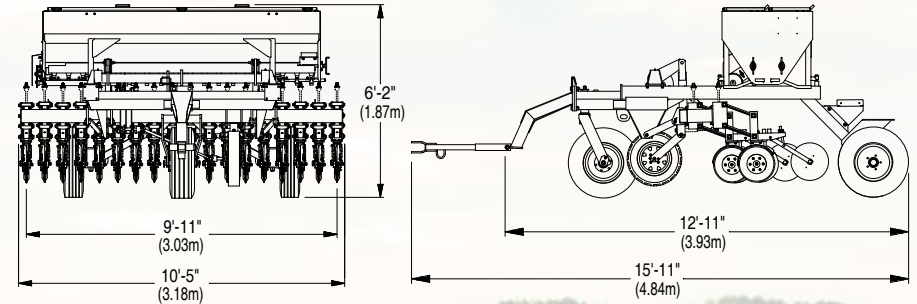
Tractor must weigh more than drill full of seed

# MECHANICAL DRAWINGS

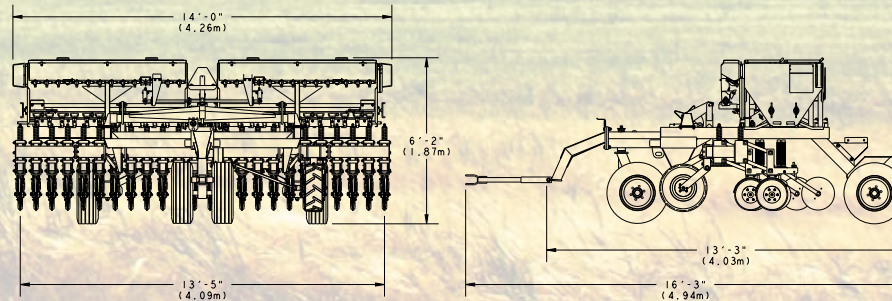
## 77C ALL PURPOSE DRILL



## 107C ALL PURPOSE DRILL



## 147C ALL PURPOSE DRILL





PO Box 1940  
Jamestown, ND 58402-1940  
**Phone: (701) 252-4601**  
Fax: (701) 252-0502