

DEMCO

HEAD TRANSPORTS

Standard | Heavy Duty | All Wheel Steer

*Why risk your header
to any other
head transport?*



Doing Our Best to Provide You the Best

DEMCO

Demco header transports have become the standard in the industry to help you transport your large, heavy, and expensive combine headers. Ranging from 20' up to 52', the standard tricycle front end and torsion axles offer straight and smooth towing. With the investment you have in today's equipment you can count on the Demco header transport with the original tricycle design to allow maneuverability and reliability second to none in the industry.

There are many imitators to the tricycle design of header transports but the clear leader is Demco. Demco's unique design offers the quality and durability to withstand the heaviest of loads. Whether you are looking for a storage transport or a transport to travel across the country, Demco has your needs covered.

KEY FEATURES ON ALL HEAD TRANSPORTS

Torsion Suspension Axles Standard

Makes for a smooth ride when towing. Absorbs shock on rough roads to make the Head Transport last longer.

Painted with Rubberized Undercoating

Keeps your Head Transport looking better longer by resisting rock chips better than traditional paint.

Standard Telescoping Tongue on all Head Transports

Makes the Head Transport easier to hook up

Features Demco's EZ Latch Coupler

2 5/16" ball coupler, safety chains and our EZ latch Coupler so you know it is hooked up right!

FEATURING DEMCO'S EXCLUSIVE EZ LATCH COUPLER

*Standard on Heavy Duty Head Transports



KEY FEATURES ON STANDARD AND HEAVY DUTY HEAD TRANSPORTS

Frame

Demco Head Transports have a one piece welded design with the top and bottom rails welded together with cross members welded to a beam that pulls from hitch to rear axle. This has more strength than a bolt together design and since the main beam is pulling the rear axles, all the bed needs to do is carry the head. Other brands pull the rear axle with the bed.

Tricycle Front Design

Allows for short turns and superior high speed towing capability.

Easy to Use

The top rail is stationary. One person can easily adjust brackets on lower beam to fit different brand/model heads.

Bracket Design

Each bracket will allow for 16 (32) positions. We offer 3 brackets making 48 (96) positions that can be used on most heads that are manufactured today. No need to stock a 2nd brand transport. Simply pull the pins and re-adjust!

Brakes

Electric brakes are available on rear single axle, rear tandem axle (one or both rear axles), and on the front tricycle axle.

STANDARD HEAD TRANSPORT

20' • 24' • 28' • 32' • 38' • 42' • 48' • 52'

- 13 models ranging from 20' to 48' with rear single or tandem axle available on six sizes
- 6,000 lb axles
- 15" tires
- Optional front and rear fenders



HEAVY DUTY HEAD TRANSPORT

32' • 38' • 42' • 48' • 52'

- Equipped with 235/80R 16" tires
- 7,000 lb axles
- Uses 8 x 4 3/16" tubing - Larger HD's use 8 x 4 1/4" tubing
- Standard front and rear fenders

ALL WHEEL STEER HEAD TRANSPORT

32' • 38' • 42' • 48'

- Largest frame of any AWS trailer on the market today
- Rails are pre-cambered to carry the weight while supporting the entire head
- Demco AWS Transports pivot the entire front and rear axles to allow fewer pivot points
- To protect the steering linkage, it is mounted up along side the main trailer beam
- The brackets are fully adjustable with the upper bar adjusting both in and out and up and down for different brands of headers



Turning Radius:

32' - 17.5 ft
38' - 21.25 ft
42' - 24 ft
48' - 27.75 ft



ALL WHEEL STEER HEAD TRANSPORT
Heavy duty articulating pivots add strength, durability and provide a short turning radius.



Two fully adjustable ratcheting straps for securing all brands of heads



Standard adjustable slider or draper brackets allow you to carry multiple heads on the same transport



The sealed LED lighting system enables safe towing day and night

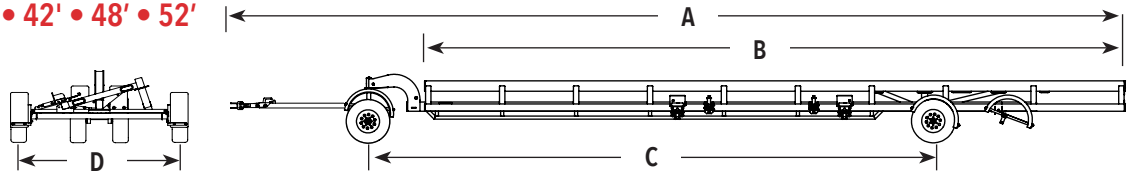


The Tricycle front design allows for short turns and superior high speed towing capability

With thousands of dollars invested in your corn head and more in your platform, trusting your investment to the best head transport on the market, would only be right!

STANDARD HEAD TRANSPORT

20' • 24' • 28' • 32' • 38' • 42' • 48' • 52'



DIMENSIONS

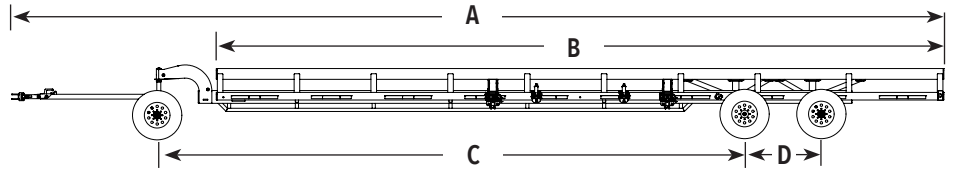
| | 20 | 24 | 28 | 32 | 38 | 42 | 48 | 52 |
|---|-------|--------|--------|-------|--------|-------|-------|-------|
| A | 31' | 35' | 39' | 43' | 48'6" | 52'8" | 58'6" | 62'6" |
| B | 20'4" | 24'4" | 28'4" | 32'4" | 37'10" | 42' | 48' | 52' |
| C | 19'8" | 20'10" | 24'10" | 24'1" | 30'6" | 34'6" | 37'8" | 36' |
| D | 8'4" | 8'4" | 8'4" | 8'4" | 8'4" | 8'4" | 8'4" | 8'4" |

SPECIFICATIONS

| | 20 | 24 | 28 | 32 | 38 | 42 | 48 | 52 |
|------------|------------|------------|------------|------------|------------|------------|------------|------------|
| G.V.W. | 11,200 lbs | 11,200 lbs | 11,200 lbs | 16,800 lbs | 16,800 lbs | 16,800 lbs | 20,000 lbs | 20,000 lbs |
| Wheel Size | 15" | 15" | 15" | 15" | 15" | 15" | 16" | 16" |
| Tire Size | 225/75 R15 | 225/75 R15 | 225/75 R15 | 225/75 R15 | 225/75 R15 | 225/75 R15 | 235/80/R16 | 235/80/R16 |

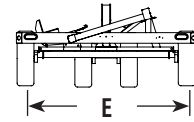
HEAVY DUTY HEAD TRANSPORT

32' • 38' • 42' • 48' • 52'



DIMENSIONS

| | 32 | 38 | 42 | 48 | 52 |
|---|--------|--------|-------|-------|-------|
| A | 42'10" | 48'4" | 52'6" | 58'6" | 62'6" |
| B | 32'4" | 37'10" | 42' | 48' | 52' |
| C | 24'7" | 30'4" | 34'4" | 37'8" | 36' |
| D | 4' | 4' | 4' | 5'6" | 5'10" |
| E | 8'5" | 8'5" | 8'5" | 8'5" | 8'5" |

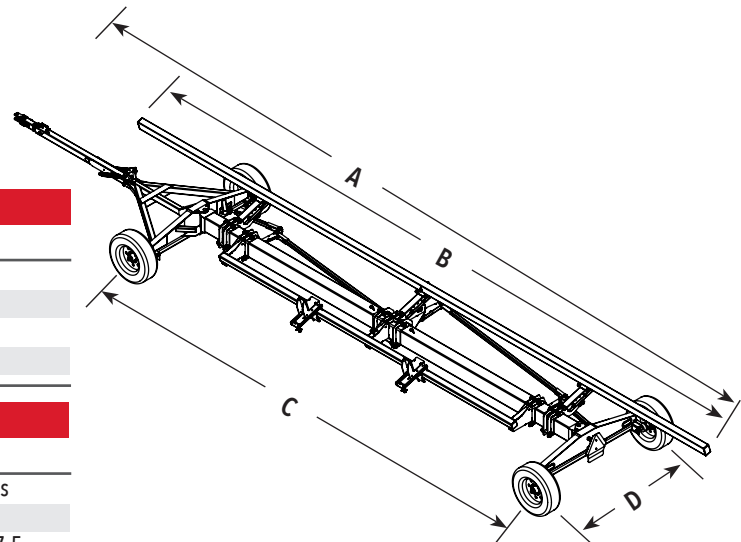


SPECIFICATIONS

| | 32 | 38 | 42 | 48 | 52 |
|------------|------------|------------|------------|------------|------------|
| G.V.W. | 20,000 lbs | 20,000 lbs | 20,000 lbs | 20,000 lbs | 20,000 lbs |
| Wheel Size | 16" | 16" | 16" | 16" | 16" |
| Tire Size | 235/80 R16 | 235/80 R16 | 235/80 R16 | 235/80 R16 | 235/80 R16 |

ALL WHEEL STEER HEAD TRANSPORT

32' • 38' • 42' • 48'



DIMENSIONS

| | 32 | 38 | 42 | 48 |
|---|--------|-------|--------|-------|
| A | 38'4" | 38'8" | 48'1" | 54'4" |
| B | 32'4" | 38' | 42' | 48' |
| C | 20'11" | 26'9" | 30'10" | 37' |
| D | 8'5" | 8'5" | 8'5" | 8'5" |

SPECIFICATIONS

| | 32 | 38 | 42 | 48 |
|------------|------------|------------|------------|--------------|
| G.V.W. | 14,000 lbs | 14,000 lbs | 16,000 lbs | 16,000 lbs |
| Wheel Size | 16" | 16" | 16" | 17.5" |
| Tire Size | 235/80 R16 | 235/80 R16 | 235/80 R16 | 215/75 R17.5 |